

Photoelectric Sensors

E3F2

Threaded Cylindrical Photoelectric Sensors with Built-in Amplifier for Use as an Optical Proximity Switch

- M18 DIN-sized cylindrical housing
- Housing materials: plastic, nickel plated brass and stainless steel
- Axial and radial types (with integrated 90°-optics)
- Enclosure rating IP67
- DC switching types with connectors for easy maintenance
- Full metal plug-in type
- Sensing distance separate types: 7 m, 10 m
- Retroreflective polarizing types: 2 m, 4 m
- Background suppression type: 10 cm
- Long detection distance (0.3 m, 1 m) with sensitivity adjuster for diffuse type
- Wide-beam characteristics (10 cm) for diffuse type
- Wide operating voltage range (10 to 30 VDC or 24 to 240 VAC)
- Short-circuit and reverse connection protection (DC switching type)
- UL and CSA approved (AC switching types)
- UL listed (DC switching types)


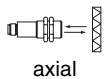
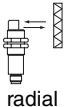
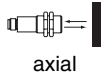



Ordering Information

■ DC-Switching Models

Housing Material: Plastic

Note: Shaded models are normally stocked.

Sensing method		Appearance	Connection method	Sensing distance	Model			
					PNP output	NPN output		
Through-beam	Multi purpose		pre-wired	7 m	E3F2-7B4	E3F2-7C4		
			M12 connector		E3F2-7B4-P1	E3F2-7C4-P1		
	- precision detection ^(*) - test input		pre-wired	10 m	E3F2-10B4	E3F2-10C4		
			M12 connector		E3F2-10B4-P1	E3F2-10C4-P1		
Retro-reflective (incl. reflector E39-R1 or E39-R1S)	Non-polarizing (without MSR function)		pre-wired	0.1 - 2 m ⁽²⁾	E3F2-R2B4	E3F2-R2C4		
			M12 connector		E3F2-R2B4-P1	E3F2-R2C4-P1		
	Polarizing (with MSR function)		Fixed sensitivity	pre-wired	0.1 - 4 m ⁽³⁾	E3F2-R4B4F	E3F2-R4C4F	
				M12 connector		E3F2-R4B4F-P1	E3F2-R4C4F-P1	
	Adjustable sensitivity		Adjustable sensitivity	pre-wired	0.1 - 4 m ⁽³⁾	E3F2-R4B4	E3F2-R4C4	
				M12 connector		E3F2-R4B4-P1	E3F2-R4C4-P1	
	Polarizing (with MSR function)		Adjustable sensitivity		pre-wired	0.1 - 2 m ⁽²⁾	E3F2-R2RB41	E3F2-R2RC41
					M12 connector		E3F2-R2RB41-P1	E3F2-R2RC41-P1
Diffuse reflective	Fixed sensitivity Wide-beam characteristics		pre-wired		0.1 m	E3F2-DS10B4-N	E3F2-DS10C4-N	
			M12 connector			E3F2-DS10B4-P1	E3F2-DS10C4-P1	
	Adjustable sensitivity		0.3 m	pre-wired	E3F2-DS30B4	E3F2-DS30C4		
				M12 connector	E3F2-DS30B4-P1	E3F2-DS30C4-P1		
			1 m	pre-wired	E3F2-D1B4	E3F2-D1C4		
				M12 connector	E3F2-D1B4-P1	E3F2-D1C4-P1		
Adjustable sensitivity	0.3 m	pre-wired	E3F2-DS30B41	E3F2-DS30C41				
		M12 connector	E3F2-DS30B41-P1	E3F2-DS30C41-P1				
Background suppression	Fixed sensing distance		pre-wired	10 cm	E3F2-LS10B4	E3F2-LS10C4		
			M12 connector		E3F2-LS10B4-P1	E3F2-LS10C4-P1		

*1) with slit E39-ES18

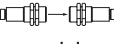
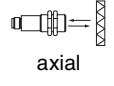
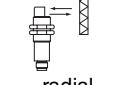
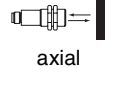
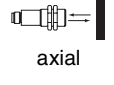
*2) with reflector E39-R1

*3) with reflector E39-R1S

Note: Standard cable length is 2 m. Models provided with a 5 m long cable are available. When ordering, specify the cable length by adding the length of the cable (e.g. E3F2-R2RB4 2M or E3F2-R2RB4 5M). For other cable length please contact your OMRON sales representative.

■ Housing material: Metal (Nickel plated brass)

Note: Shaded models are normally stocked.

Sensing method		Appearance	Connection method	Sensing distance	Model			
					PNP output	NPN output		
Through-beam	Multi purpose	 axial	pre-wired	7 m	E3F2-7B4-M	E3F2-7C4-M		
			M12 connector		E3F2-7B4-M1-M	E3F2-7C4-M1-M		
	- precision detection - test input		pre-wired	10 m	E3F2-10B4-M	E3F2-10C4-M		
			M12 connector		E3F2-10B4-M1-M	E3F2-10C4-M1-M		
Retro-reflective (incl. reflector E39-R1)	Polarizing (with MSR function)	 axial	pre-wired	0.1 - 2 m ^(*)	E3F2-R2RB4-M	E3F2-R2RC4-M		
			M12 connector		E3F2-R2RB4-M1-M	E3F2-R2RC4-M1-M		
			pre-wired	0.1 - 4 m ^(*)	E3F2-R4B4F-M	E3F2-R4C4F-M		
			M12 connector		E3F2-R4B4F-M1-M	E3F2-R4C4F-M1-M		
	Adjustable sensitivity	pre-wired		E3F2-R4B4-M	E3F2-R4C4-M			
		M12 connector		E3F2-R4B4-M1-M	E3F2-R4C4-M1-M			
		Polarizing (with MSR function)		 radial	pre-wired	0.1 - 2 m ^(*)	E3F2-R2RB41-M	E3F2-R2RC41-M
Diffuse reflective	Fixed sensing distance Wide-beam characteristics	 axial	pre-wired		0.1 m	E3F2-DS10B4-M	E3F2-DS10C4-M	
			M12 connector			E3F2-DS10B4-M1-M	E3F2-DS10C4-M1-M	
	Adjustable sensing distance		pre-wired	0.3 m	E3F2-DS30B4-M	E3F2-DS30C4-M		
			M12 connector		E3F2-DS30B4-M1-M	E3F2-DS30C4-M1-M		
Adjustable sensing distance	Adjustable sensing distance	pre-wired	1 m	E3F2-D1B4-M	E3F2-D1C4-M			
		M12 connector		E3F2-D1B4-M1-M	E3F2-D1C4-M1-M			
Background suppression	Fixed sensing distance	 axial	pre-wired	10 cm	E3F2-LS10B4-M	E3F2-LS10C4-M		
			M12 connector		E3F2-LS10B4-M1-M	E3F2-LS10C4-M1-M		

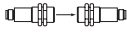
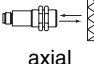
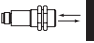
*1) with reflector E39-R1

*2) with reflector E39-R1S

Note: Standard cable length is 2 m. Models provided with a 5 m long cable are available. When ordering, specify the cable length by adding the length of the cable (e.g. E3F2-R2RB4 2M or E3F2-R2RB4 5M). For other cable length please contact your OMRON sales representative.

■ Housing material: Metal (Stainless steel)

Note: Shaded models are normally stocked.

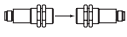
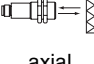
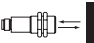
Sensing method		Appearance	Connection method	Sensing distance	Model	
					PNP output	NPN output
Through-beam		 axial	pre-wired	7 m	E3F2-7B4-S	E3F2-7C4-S
			M12 connector		E3F2-7B4-M1-S	E3F2-7C4-M1-S
Retro-reflective (incl. reflector E39-R1)	Polarizing (with MSR function)	 axial	pre-wired	0.1 - 2 m (with reflector E39-R1)	E3F2-R2RB4-S	E3F2-R2RC4-S
			M12 connector		E3F2-R2RB4-M1-S	E3F2-R2RC4-M1-S
Diffuse reflective	Fixed sensitivity Wide-beam characteristics	 axial	pre-wired	0.1 m	E3F2-DS10B4-S	E3F2-DS10C4-S
			M12 connector		E3F2-DS10B4-M1-S	E3F2-DS10C4-M1-S
	Adjustable sensitivity	pre-wired	0.3 m	E3F2-DS30B4-S	E3F2-DS30C4-S	
				M12 connector	E3F2-DS30B4-M1-S	E3F2-DS30C4-M1-S

Note: Standard cable length is 2 m. Models provided with a 5 m long cable are available. When ordering, specify the cable length by adding the length of the cable (e.g. E3F2-R2RB4-S 2M or E3F2-R2RB4-S 5M). For other cable length please contact your OMRON sales representative.

■ AC-Switching Models

Housing material: Plastic

Note: Shaded models are normally stocked.

Sensing method		Appearance	Connection method	Sensing distance	Model	
					Light-ON	Dark-ON
Through-beam		 axial	pre-wired	3 m	E3F2-3Z1	E3F2-3Z2
Retro-reflective (incl. reflector E39-R1)	Non-polarizing (without MSR function)	 axial	pre-wired	0.1 - 2 m (with reflector E39-R1)	E3F2-R2Z1	E3F2-R2Z2
Diffuse reflective	Fixed sensing distance Wide-beam characteristics	 axial	pre-wired	0.1 m	E3F2-DS10Z1-N	E3F2-DS10Z2-N

Note: Standard cable length is 2 m. Models provided with a 5 m long cable are available. When ordering, specify the cable length by adding the length of the cable (e.g. E3F2-R2Z1 2M or E3F2-R2Z1 5M). For other cable length please contact your OMRON sales representative.

■ Accessories (Order Separately)

Note: Shaded models are normally stocked.





Name	Sensing distance (typical) [1.]	Model	Remark
Reflectors	0.1 - 3.7 m (axial) 0.1 - 2.4 m (radial)	E39-R1	60 x 40 mm (included in some models)
	0.1 - 4.3 m (axial)	E39-R1S	for E3F2-R4
	0.1 - 4.2 m (axial) 0.1 - 2.7 m (radial)	E39-R7	84 mm
	0.1 - 5.3 m (axial) 0.1 - 3.1 m (radial)	E39-R8	100 x 100 mm
	0.1 - 4.3 m (axial)	E39-R40	80 x 80 mm
Tape Reflectors		E39-RSA	35 x 10 mm
		E39-RSB	35 x 40 mm
		E39-RS3	80 x 70 mm
Lens Cap		E39-F31	
Mounting Bracket		Y92E-B18	screw mount
		Y92E-G18	quick access mounting
Slit		E39-ES18	for E3F2-10□ - precision detection

For detailed information about Accessories, refer to the main chapter “Accessories” at the end of the document.

Note: 1. Typical sensing distance corresponds to 80% of the max. sensing distance. For details, please refer to “Engineering Data”.

■ Sensor I/O Connectors

Note: Shaded models are normally stocked.

Cord	Shape	Cable type		Model
Standard	Straight 	2 m	Four-wire type	XS2F-D421-D80-A
		5 m		XS2F-D421-G80-A
	L-shaped 	2 m		XS2F-D422-D80-A
		5 m		XS2F-D422-G80-A
Vibration-proof robot cable	Straight 	2 m		XS2F-D421-D80-R
		5 m		XS2F-D421-G80-R
	L-shaped 	2 m	XS2F-D422-D80-R	
		5 m	XS2F-D422-G80-R	

Specifications

■ Ratings / Characteristics of DC Switching Models

Item	E3F2-7□	E3F2-10□	E3F2-R2□4-□	E3F2-R2R□	E3F2-R4□-□	E3F2-DS10□	E3F2-DS30□	E3F2-D1□4-□	E3F2-LS10□4-□		
Sensing method	Through-beam - multi purpose - Precision detection [6.] - test input		Retroreflective Non-polarizing			Polarizing		Diffuse reflective Wide beam characteristic			
Power supply voltage	10 to 30 V DC		12 to 24 V DC			10 to 30 V DC					
Current consumption	50 mA max.		25 mA max.		30 mA max.		25 mA max.		30 mA max.		
Rated sensing distance [1.]	7 m	10 m	0.1 - 2 m (with reflector E39-R1)			0.1 - 4 m (with reflector E39-R1S)	0.1 m (5 x 5 cm white mat paper)	0.3 m (10 x 10 cm white mat paper)	1 m (30 x 30 cm white mat paper)	0.1 m (10 x 10 cm white mat paper)	
Typical sensing distance for different reflector types (ref. to accessories) [2.]	-		E39-R1: 4.0 m E39-R7: 4.5 m E39-R8: 5.3 m	E39-R1: axial 3.7 m radial 2.4 m E39-R7: axial 4.2 m radial 2.7 m E39-R8: axial 5.3 m radial 3.1 m	E39-R1S: 4.3 m E39-R7: 4.8 m E39-R8: 5.6 m E39-R40: 4.3 m E39-RS3: 2 m	-					
Standard object	Opaque: 11 mm dia. min.		Opaque: 56 mm dia. min.			-					
Directional angle	3° to 20°		-								
Differential travel (hysteresis)	-		-				20% max.		5% max		
Black/white error	-		3%								
Response time	Operation and Reset: 2.5 ms max.				1 ms max	2.5 ms max.		1 ms max.			
Control output	Transistor (open collector), load current: 100 mA max. (residual voltage: 2 V max.)										
Power reset time	50 ms				100 ms max.	50 ms		100 ms			
Ambient illumination	Incandescent lamp: 3000 lx max. / Sunlight: 10000 lx max.										
Ambient temperature	Operating: -25 to 55 °C / Storage: -30 to 70 °C (with no icing or condensation)										
Ambient humidity	Operating: 35% to 85% / Storage: 35% to 95% (without condensation)										
Insulation resistance	20 MΩ min. at 500 V DC between energized parts and case										
Dielectric strength	1000 VAC max., 50 / 60 Hz for 1 min between energized parts and case										
Vibration resistance	10 to 55 Hz, 1.5 mm double amplitude for 2 hrs each direction (X, Y, Z)										
Shock resistance	Destruction: 500 m/s ² each direction (X, Y, Z)										
Enclosure ratings	IP67 [3.]; NEMA 1, 2, 4										
Light source	Infrared LED (880 nm/850 nm)				Red LED (660 nm)		Infrared LED (880 nm)			Red LED (660 nm)	
Indicators	Light incident / power indicator for light source (red)	Output (orange) / light emission (red)	Light incident / power indicator for light source (red)			Light incident (red) / stability (green)	Light incident / power indicator for light source (red)		Light incident (red) / stability (green)	Output indicator (orange) / stability (green)	
Sensitivity adjustment	Fixed				Fixed / Adjustable	Fixed	Adjustable		Fixed		
Connection method	2 m, 5 m pre-wired cable (PVC, dia. 4 mm (18 / 0.12) [4.]) or M12-connector										
Test Input	-	[7.]	-								
Operation mode	Light-ON or Dark-ON selectable by wiring										
Weight (approx.)											
Plastic case	pre-wired (2 m)	120 g		60 g							
	connector	40 g		20 g							
Metal case	pre-wired (2 m)	180 g		90 g							
	connector	120 g		50 g							
Circuit protection	Output short-circuit and power supply reverse polarity										
Housing materials	Plastic (case: ABS; lens: PMMA)										
	Nickel brass	Nickel brass	-			Nickel brass	Nickel brass	Nickel brass	Nickel brass	Nickel brass	Nickel brass
	Stainless steel [5.]	-	-			Stainless steel [5.]	-	Stainless steel [5.]	Stainless steel [5.]	-	-

- Note:**
- For stable sensing distance in detail, please refer to "Engineering Data"
 - Typical sensing distance corresponds to 80% of the max. sensing distance.
 - The enclosure rating IP67 of OMRON internal standards correspond to stricter test requirements than the standard IEC 60529 (refer to chapter "Precautions")
 - For other cable materials (e.g. PUR) please contact your OMRON sales representative.
 - Material-specification for stainless steel housing case: 1.4305 (W.-No.), 303 (AISI), 2346 (SS). For other stainless steel materials please contact your OMRON sales representative.
 - with slit E39-ES18
 - PNP models -B4: V_{CC} to $V_{CC} - 2.5$ V: Emitting OFF (Source current: 3 mA max.) / Open or 0 to 2.5 V: Emitting ON (Leakage current: 0.1 mA max.)
NPN models -C4: 0 to 2.5 V: Emitting OFF (Source current: 3 mA max.) / Open or V_{CC} to $V_{CC} - 2.5$ V: Emitting ON (Leakage current: 0.1 mA max.)

■ Ratings / Characteristics of AC Switching Models

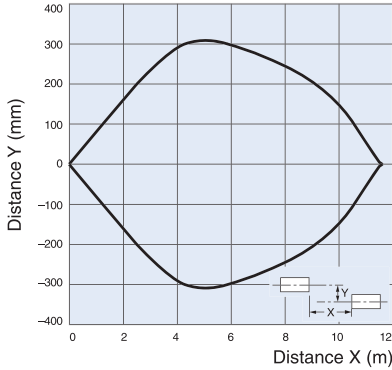
Item	E3F2-3Z1 E3F2-3Z2	E3F2-R2Z1 E3F2-R2Z2	E3F2-DS10Z1 E3F2-DS10Z2
Sensing method	Through-beam	Non-polarizing Retroreflective	Diffuse reflective (wide-beam characteristic)
Power supply voltage	24 to 240 VAC ±10%, 50 / 60 Hz		
Current consumption	10 mA max.	5 mA max.	
Rated sensing distance[1.]	3 m	0.1 - 2 m (with reflector E39-R1)	0.1 m (5 x 5 cm white mat paper)
Typical sensing distance for different reflector types [2.]	–	E39-R1: 3,4 m E39-R7: 3,9 m E39-R8: 5,2 m	–
Detectable object	Opaque object: 11 mm min.	Opaque object: 56 mm min.	Opaque objects
Directional angle	3° to 20°		–
Differential travel	–		20% max.
Response time	30 ms max.		
Control output	AC solid state (SCR) 200 mA max.; residual voltage: 5 V max. at 200 mA		
Power reset time	100 ms		
Ambient illumination	Incandescent lamp: 3000 lx max. Sunlight: 10000 lx max.		
Ambient temperature	Operating: -25 to 55 °C / Storage: -30 to 70 °C (with no icing or condensation)		
Ambient humidity	Operating: 35% to 85% / Storage: 35% to 95% (without condensation)		
Insulation resistance	20 MΩ min. at 500 V DC between energized parts and case		
Dielectric strength	1500 VAC, 50 / 60 Hz for 1 min between energized parts and case		
Vibration resistance	10 to 55 Hz, 1.5 mm double amplitude for 2 hrs each direction (X, Y, Z)		
Shock resistance	500 m/sqr (approx. 50 g) for each direction (X, Y, Z)		
Enclosure rating	IP67 [3.]; NEMA 1, 2, 4		
Light source	Infrared LED (880 nm)		
Indicators	Light incident/power indicator for light source (red)		
Sensitivity adjustment	Fixed		
Connection method	2 m, 5 m pre-wired cable (PVC dia. 4 mm (14 / 0.15))		
Operation mode	Light-ON or Dark-ON (fixed)		
Circuit protection	None		
Weight (approx.)	110 g (pre-wired 2 m cable)		
Housing materials	Plastic (case: ABS; lens: PMMA)		

- Note:**
1. For stable sensing distance in detail, please refer to “Engineering Data”
 2. Typical sensing distance corresponds to 80% of the max. sensing distance.
 3. The enclosure rating IP67 of OMRON internal standards correspond to stricter test requirements than the standard IEC 60529 (refer to chapter “Precautions”)

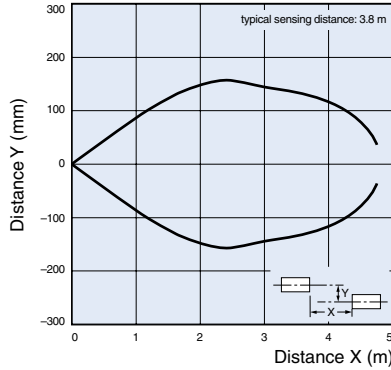
Engineering Data (Typical)

■ Operating Range (typical)

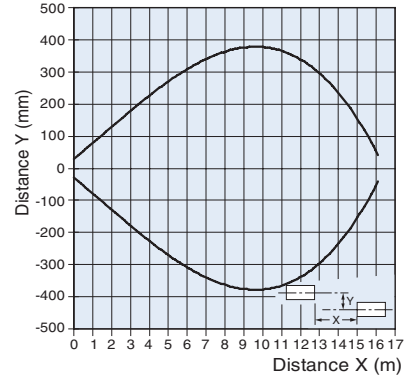
Through-beam Models (axial)
E3F2-7□4-□



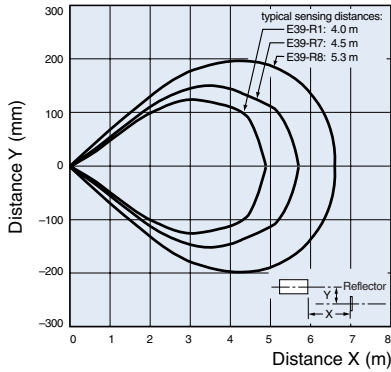
Through-beam Models (axial)
E3F2-3Z□



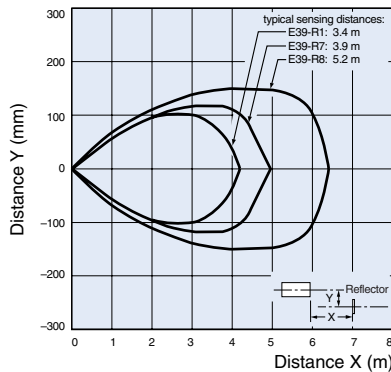
Through-beam Models (axial)
E3F2-10□



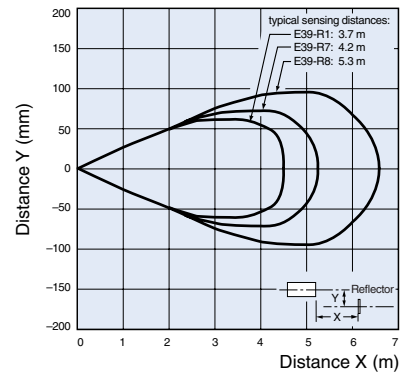
Retroreflective Models (axial)
E3F2-R2□4-□ (non polarizing)
and reflectors



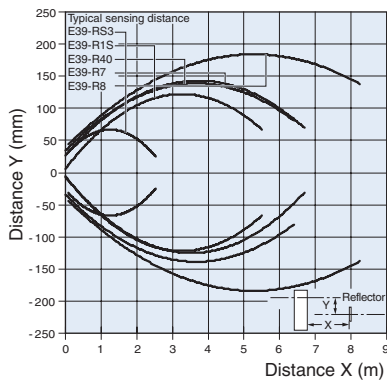
Retroreflective Models (axial)
E3F2-R2Z□ (non polarizing)
and reflectors



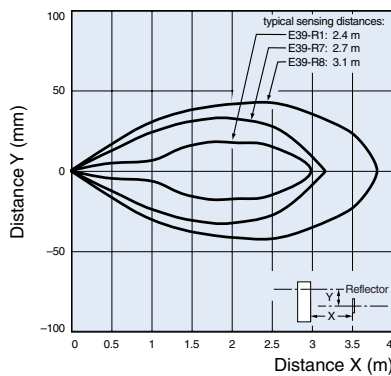
Retroreflective Models (axial)
E3F2-R2R□4-□ (polarizing)
and reflectors



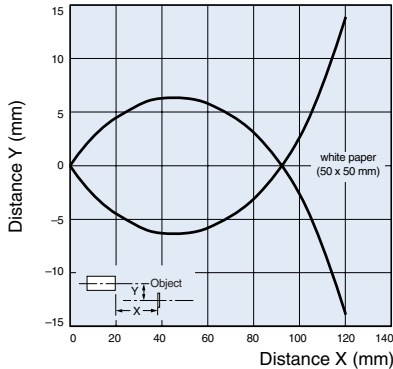
Retro-reflective Models (axial)
E3F2-R4□4-□ (polarizing)



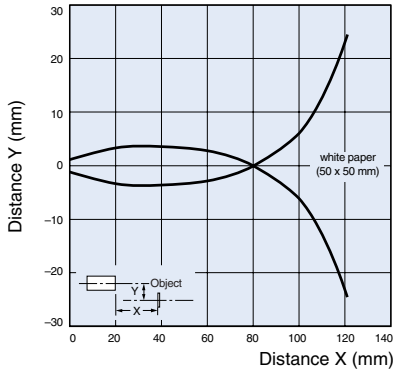
Retroreflective Models (radial)
E3F2-R2R□41-□ (polarizing)
and reflectors



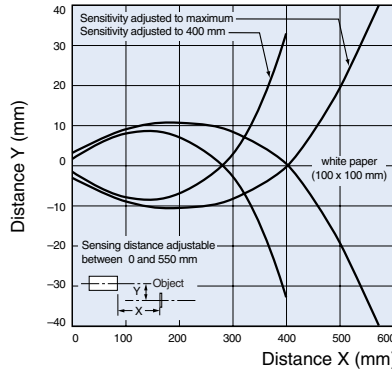
Diffuse reflective Models (axial)
E3F2-DS10□4-□ (wide-beam type)



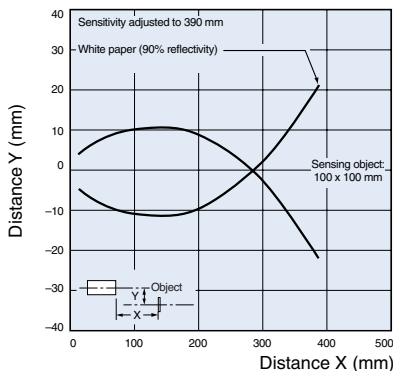
Diffuse reflective Models (axial)
E3F2-DS10Z-□ (wide-beam type)



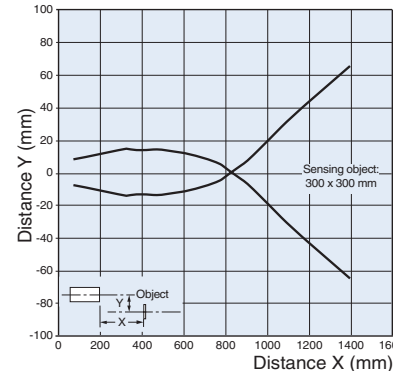
Diffuse reflective Models (axial)
E3F2-DS30□4-□



Diffuse reflective Models (radial)
E3F2-DS30□41-□

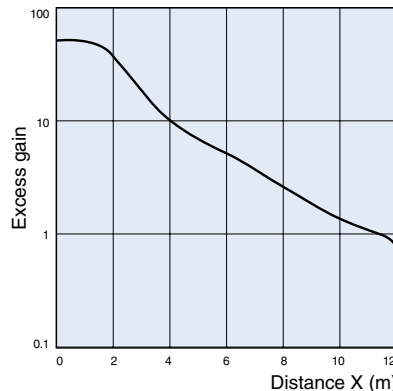


Diffuse reflective Models (axial)
E3F2-D1□4-□

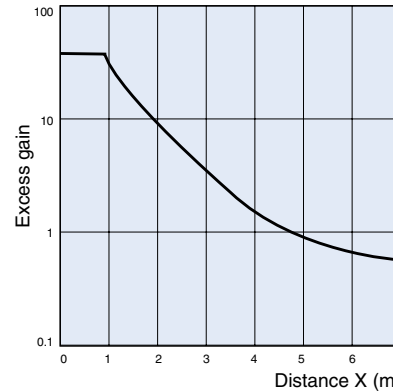


■ Excess Gain Ratio vs. Distance (typical)

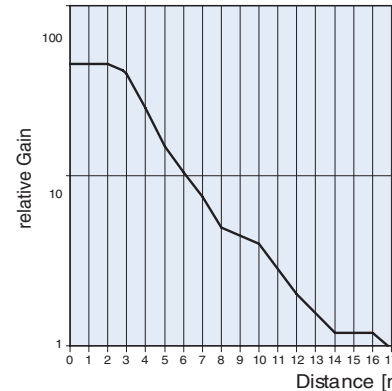
Through-beam Models (axial)
E3F2-7□4-□



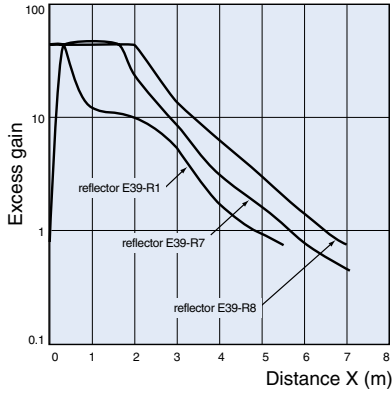
Through-beam Models (axial)
E3F2-3Z□



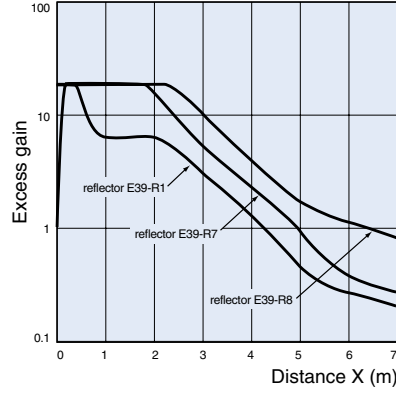
Through-beam Models (axial)
E3F2-10□



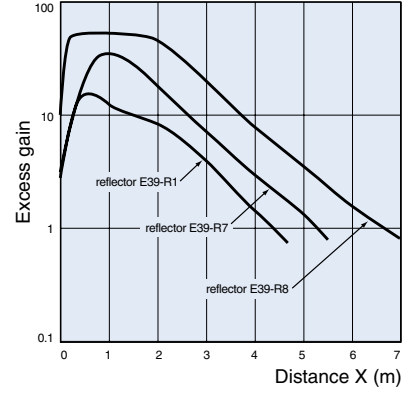
Retroreflective Models (axial)
E3F2-R2□4-□ (non polarizing)
and reflectors



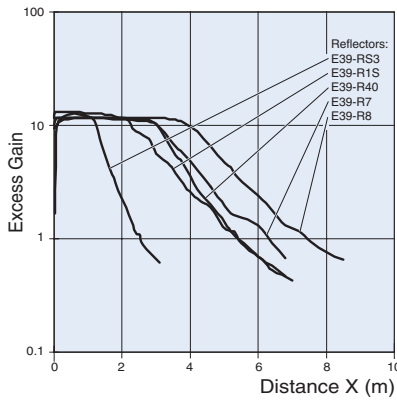
Retroreflective Models (axial)
E3F2-R2Z□ (non polarizing)
and reflectors



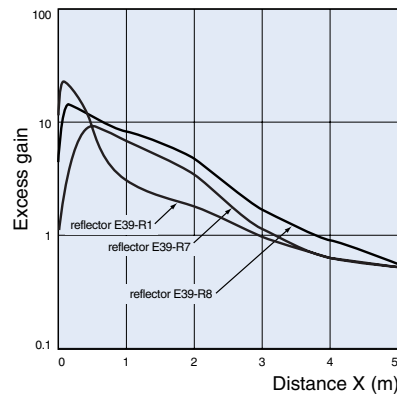
Retroreflective Models (axial)
E3F2-R2R□4-□ (polarizing)
and reflectors



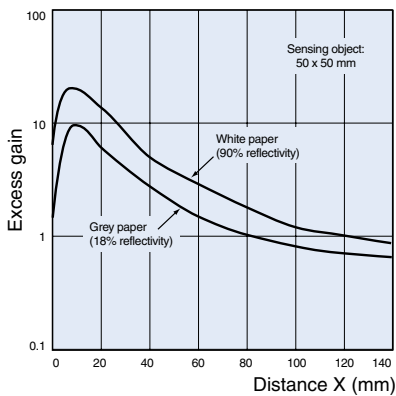
Retroreflective Models (axial)
E3F2-R4□4□-□



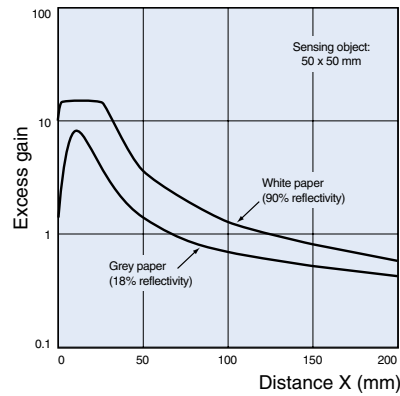
Retroreflective Models (radial)
E3F2-R2R□41-□ (polarizing)
and reflectors



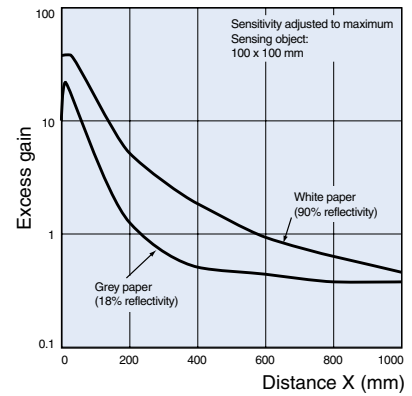
Diffuse reflective Models (axial)
E3F2-DS10□4-□ (wide-beam type)



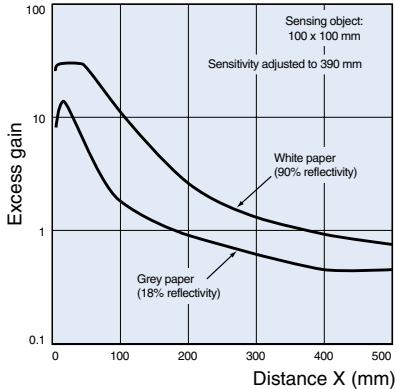
Diffuse reflective Models (axial)
E3F2-DS10Z-□ (wide-beam type)



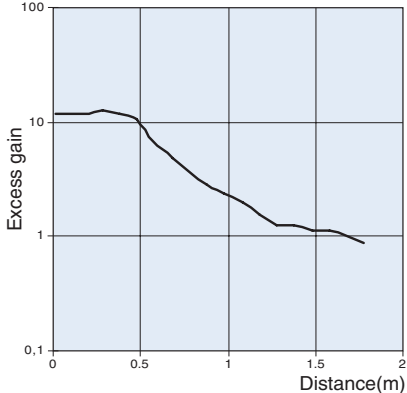
Diffuse reflective Models (axial)
E3F2-DS30□4-□



Diffuse reflective Models (radial)
E3F2-DS30□41-□

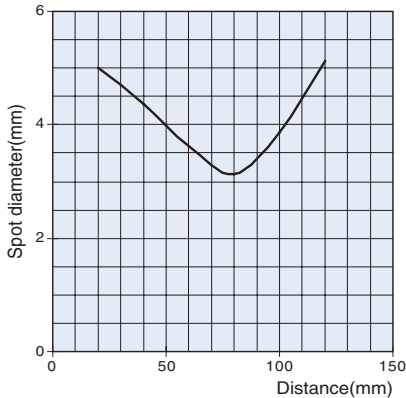


Diffuse reflective Models (axial)
E3F2-D1□4-□



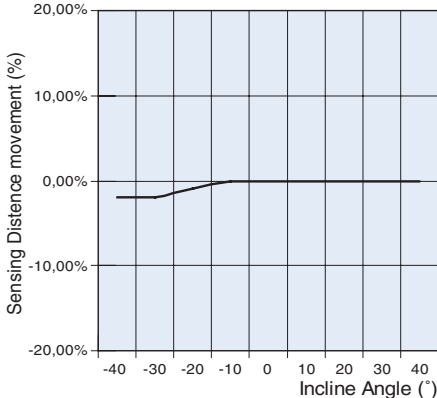
Light spot vs. sensing distance

Background suppression Models
E3F2-LS□

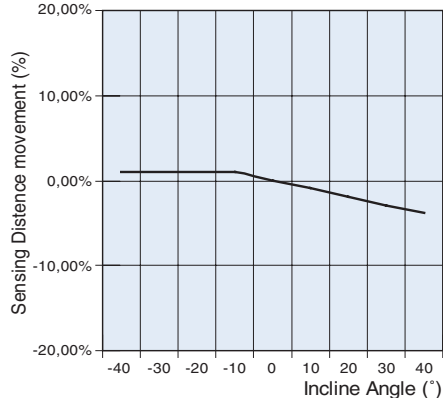


Incline (left and right) Incline (up and down)

Background suppression Models
E3F2-LS□

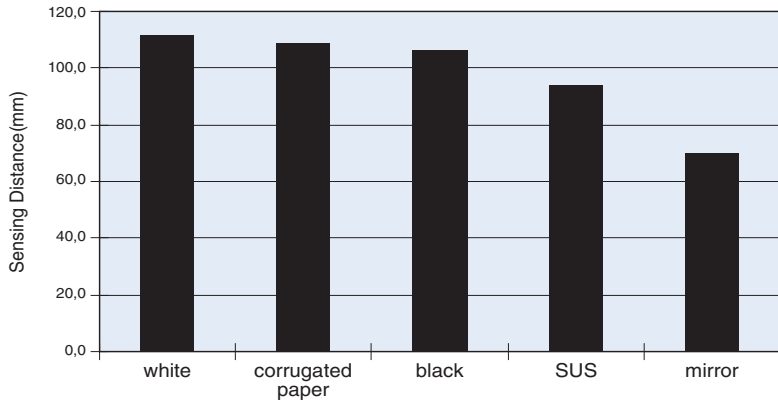


Background suppression Models
E3F2-LS□



Object material vs. sensing distance

Background suppression Models
E3F2-LS□

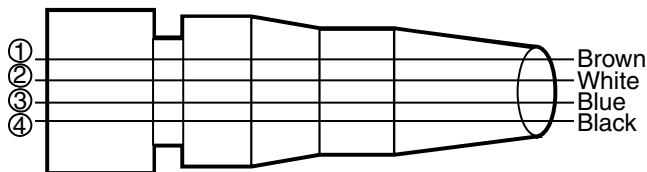


Operation

Output Circuits

Structure of Sensor I/O Connector

Classification	Wire color	Connector pin No.	Use
DC	Brown	①	Power supply (+V)
	White	②	Mode selection Lon/Don
	Blue	③	Power supply (0 V)
	Black	④	Output



XS2F-D42□-D80-□
XS2F-G42□-G80-□

PNP Output

Model	Output transistor status	Timing chart	Connection method	Output circuit
E3F2-□B4-□ (except for E3F2-10B4-□ and E3F2-LS10B4-□)				<p>Through-beam emitter</p> <p>Connector Pin Arrangement</p>
	ON when light is incident. (Light-ON)		Connect the pink (Pin ④) and brown (Pin ①) cords or open the pink cord (Pin ④).	<p>Connector Pin Arrangement</p> <p>* Only on models E3F2-R4B4-□ and E3F2-D1B4-□</p>
	ON when light is interrupted. (Dark-ON)		Connect the pink (Pin ④) and blue (Pin ③) cords.	<p>Connector Pin Arrangement</p> <p>* Only on models E3F2-R4B4-□ and E3F2-D1B4-□</p>

Model	Output transistor status	Timing chart	Connection method	Output circuit
E3F2-10B4-□	—	<p>Test input</p> <p>Light emission</p> <p>Indicator</p>	—	<p>Through-beam emitter</p>
	ON when light is incident. (Light-ON)	<p>Incident Interrupted</p> <p>Output indicator (orange)</p> <p>Output transistor</p> <p>Load (relay)</p>	Connect the pink (Pin ②) and brown (Pin ①) cords or open the pink cord (Pin ②).	<p>Connector Pin Arrangement</p>
	ON when light is interrupted. (Dark-ON)	<p>Incident Interrupted</p> <p>Output indicator (orange)</p> <p>Output transistor</p> <p>Load (relay)</p>	Connect the pink (Pin ②) and blue (Pin ③) cords.	<p>Connector Pin Arrangement</p>
E3F2-LS10B4-□	ON when light is incident. (Light-ON)	<p>Incident Interrupted</p> <p>Output indicator (orange)</p> <p>Output transistor</p> <p>Load (relay)</p>	Connect the pink (Pin ②) and brown (Pin ①) cords or open the pink cord (Pin ②).	<p>Connector Pin Arrangement</p>
	ON when light is interrupted. (Dark-ON)	<p>Incident Interrupted</p> <p>Output indicator (orange)</p> <p>Output transistor</p> <p>Load (relay)</p>	Connect the pink (Pin ②) and blue (Pin ③) cords.	<p>Connector Pin Arrangement</p>

Note: Terminal numbers for connector type.

■ NPN Output

Model	Output transistor status	Timing chart	Connection method	Output circuit
E3F2-□C4-□ (except for E3F2-10C4-□ and E3F2-LS10C4-□)	—	—	—	<p>Through-beam emitter</p> <p>Connector Pin Arrangement</p>
	ON when light is incident. (Light-ON)	<p>Incident Interrupted</p>	Connect the pink (Pin ④) and brown (Pin ①) cords or open the pink cord (Pin ④).	<p>Connector Pin Arrangement</p> <p>* Only on models E3F2-R4C4-□ and E3F2-D1C4-□</p>
	ON when light is interrupted. (Dark-ON)	<p>Incident Interrupted</p>	Connect the pink (Pin ④) and blue (Pin ③) cords.	<p>Connector Pin Arrangement</p> <p>* Only on models E3F2-R4C4-□ and E3F2-D1C4-□</p>
E3F2-10C4-□	—	<p>Test input</p>	—	<p>Through-beam emitter</p> <p>Connector Pin Arrangement</p>
	ON when light is incident. (Light-ON)	<p>Incident Interrupted</p>	Connect the pink (Pin ④) and brown (Pin ①) cords or open the pink cord (Pin ④).	<p>Connector Pin Arrangement</p>
	ON when light is interrupted. (Dark-ON)	<p>Incident Interrupted</p>	Connect the pink (Pin ④) and blue (Pin ③) cords.	<p>Connector Pin Arrangement</p>

Model	Output transistor status	Timing chart	Connection method	Output circuit
E3F2-LS10C4-□	ON when light is incident. (Light-ON)		Connect the pink (Pin ②) and brown (Pin ①) cords or open the pink cord (Pin ②).	
	ON when light is interrupted. (Dark-ON)		Connect the pink (Pin ②) and blue (Pin ③) cords.	

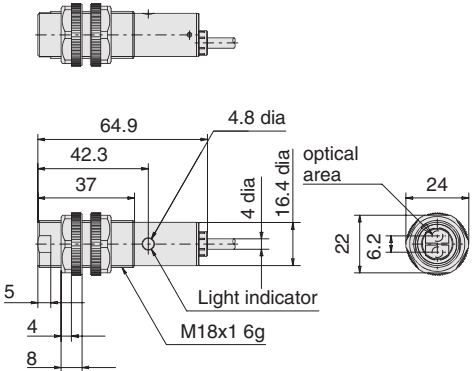
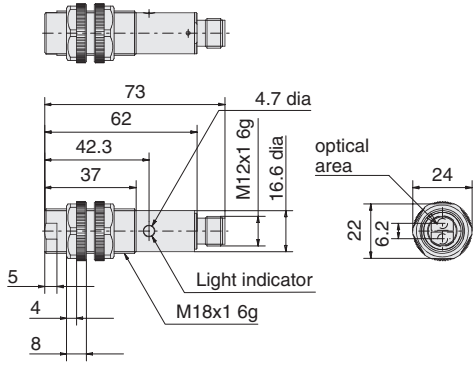
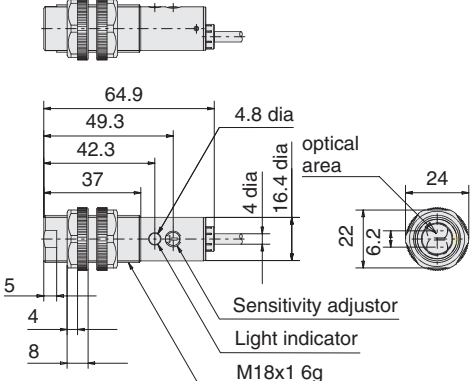
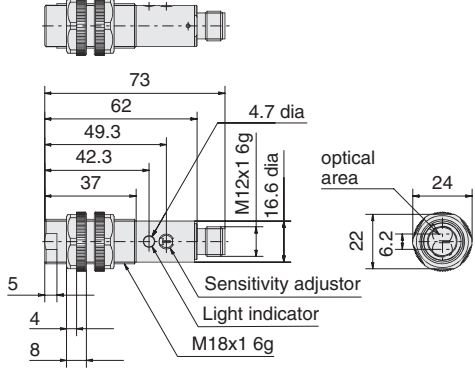
Note: Terminal numbers for connector type.

■ AC Output

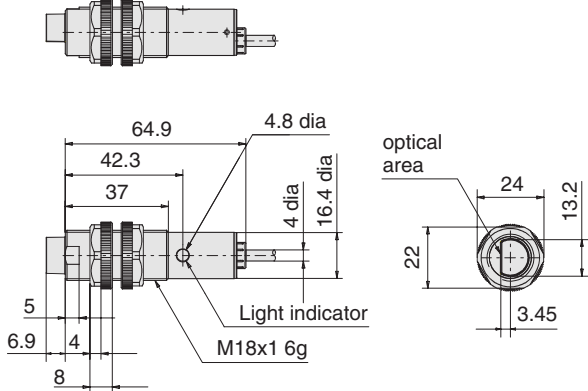
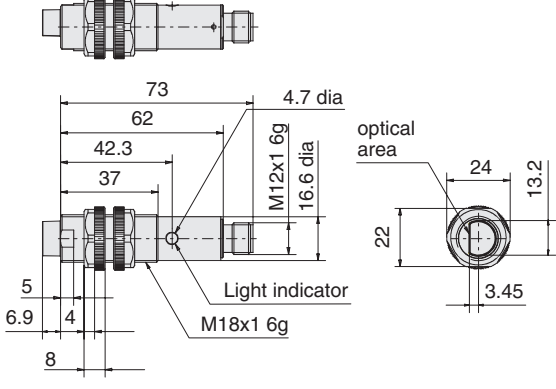
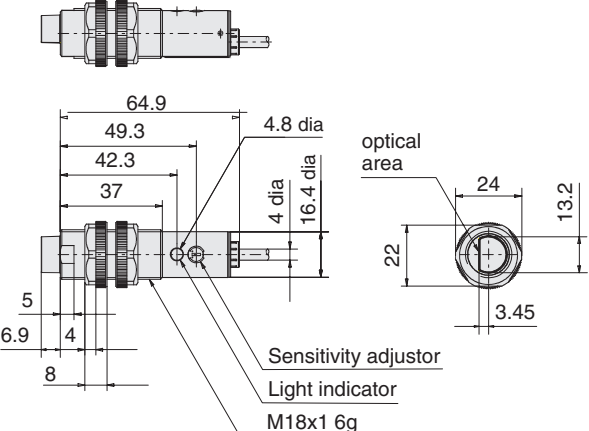
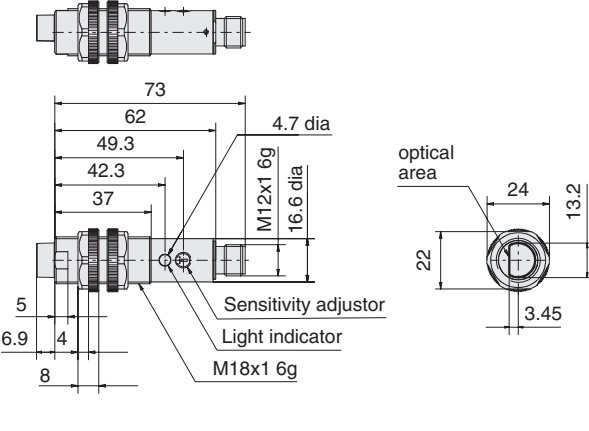
Model	Output transistor status	Timing chart	Connection method	Output circuit
E3F2-3LZ	—	—	—	Through-beam emitter
E3F2-3Z1 E3F2-R2Z1 E3F2-DS10Z1-N	ON when light is incident. (Light-ON)		—	
E3F2-3Z2 E3F2-R2Z2 E3F2-DS10Z2-N	ON when light is interrupted. (Dark-ON)		—	

Dimensions Note: All units are in millimeters unless otherwise indicated

■ DC-Switching Models, plastic, axial type

Cable type	Connector type
<p>Without potentiometer</p> <p>E3F2-7□ E3F2-10□ E3F2-R2□4 E3F2-DS10□4-N E3F2-LS10□4 E3F2-R4□4F</p> 	<p>E3F2-7□-P1 E3F2-10□-P1 E3F2-R2□4-P1 E3F2-DS10□4-P1 E3F2-LS10□4-P1 E3F2-R4□4F-P1</p> 
<p>With potentiometer</p> <p>E3F2-DS30□4 E3F2-D1□4</p> 	<p>E3F2-DS30□4-P1 E3F2-D1□4-P1</p> 

■ DC-Switching Models, plastic, radial type

Cable type	Connector type
<p data-bbox="162 224 373 247">Without potentiometer</p> <p data-bbox="162 256 292 279">E3F2-R2R□41</p>  <p data-bbox="203 588 568 661">Light indicator M18x1 6g</p>	<p data-bbox="839 256 998 279">E3F2-R2R□41-P1</p>  <p data-bbox="893 588 1250 661">Light indicator M12x1 6g</p>
<p data-bbox="162 709 341 732">With potentiometer</p> <p data-bbox="162 741 316 764">E3F2-DS30□41</p>  <p data-bbox="203 1113 649 1207">Sensitivity adjuster Light indicator M18x1 6g</p>	<p data-bbox="839 741 1023 764">E3F2-DS30□41-P1</p>  <p data-bbox="893 1071 1266 1165">Sensitivity adjuster Light indicator M12x1 6g</p>

■ DC-Switching Models, metal (brass and stainless steel), axial type

Cable type	Connector type
Without potentiometer	
<p> E3F2-7□-M E3F2-7□-S E3F2-10□-M E3F2-R2R□4-M E3F2-R2R□4-S E3F2-DS10□4-M E3F2-DS10□4-S E3F2-LS10□4-M E3F2-R4□4F-M </p> <p> 64.9 4.8 dia 42.3 4 dia 16.4 dia 37 optical area 24 27.7 6.2 4 Light indicator M18x1 6g </p>	<p> E3F2-7□-M1-M E3F2-7□-M1-S E3F2-10□-M1-M E3F2-R2R□4-M1-M E3F2-R2R□4-M1-S E3F2-DS10□4-M1-M E3F2-DS10□4-M1-S E3F2-LS10□4-M1-M E3F2-R4□4F-M1-M </p> <p> 76 4.8 dia 65.5 16.4 dia 42.3 M12x1 6g 37 optical area 24 27.7 6.2 4 Light indicator M18x1 6g </p>
With potentiometer	
<p> E3F2-DS30□4-M E3F2-DS30□4-S E3F2-R4□4-M E3F2-D1□4-M </p> <p> 64.9 4.8 dia 49.3 4 dia 16.4 dia 42.3 optical area 24 37 27.7 6.2 4 Sensitivity adjuster Light indicator M18x1 6g </p>	<p> E3F2-DS30□4-M1-M E3F2-DS30□4-M1-S E3F2-R4□4-M1-M E3F2-D1□4-M1-M </p> <p> 76 4.8 dia 65.5 16.4 dia 49.3 M12x1 6g optical area 24 42.3 27.7 6.2 37 Sensitivity adjuster Light indicator M18x1 6g </p>

■ DC-Switching Models, metal (brass and stainless steel), radial type

Cable type		Connector type	
Without potentiometer			
E3F2-R2R□41-M	E3F2-R2R□41-S	E3F2-R2R□41-M	E3F2-R2R□41-M1-S
With potentiometer			
E3F2-DS30□41-M	E3F2-DS30□41-S	E3F2-DS30□41-M1-M	E3F2-DS30□41-M1-S

■ AC-Switching Models, plastic, axial type

Cable type
Without potentiometer
E3F2-3Z□ E3F2-R2Z□ E3F2-DS10Z□-N

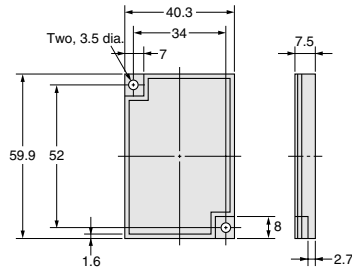
■ Accessories (Order Separately)

Reflectors

E39-R1
E39-R1S



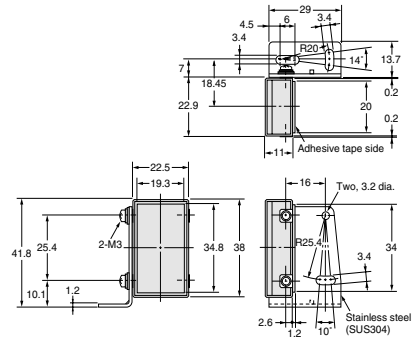
Material, reflective surface: acrylic
Rear surface: ABS



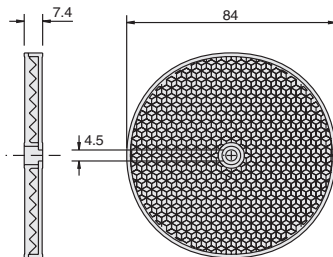
E39-R3



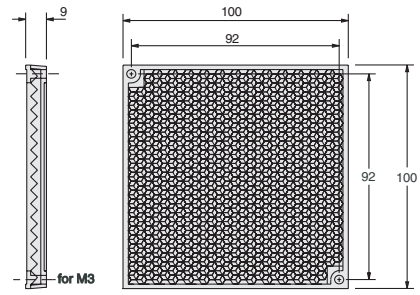
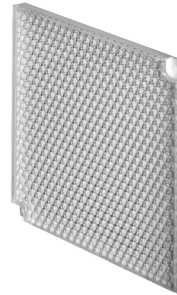
Material, reflective surface: acrylic
Rear surface: ABS



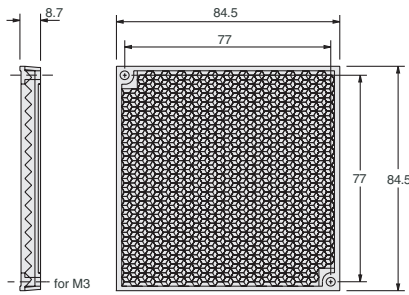
E39-R7



E39-R8

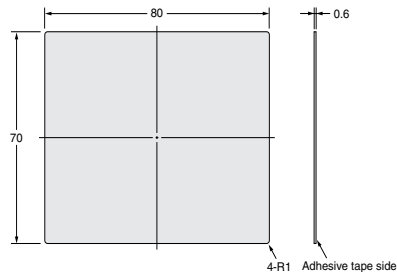
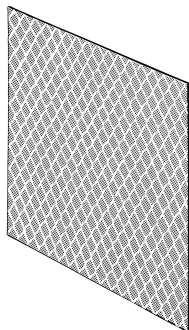


E39-R40

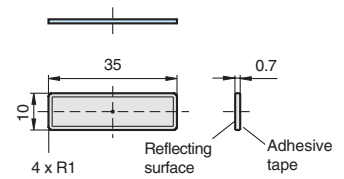


Tape Reflectors

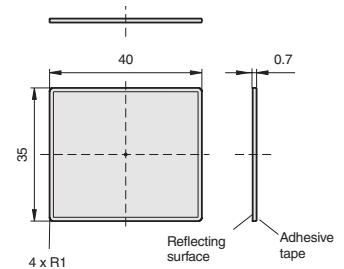
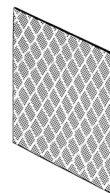
E39-RS3



E39-RSA

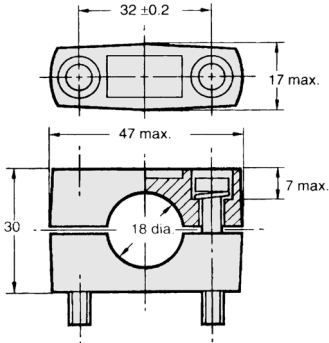


E39-RSB



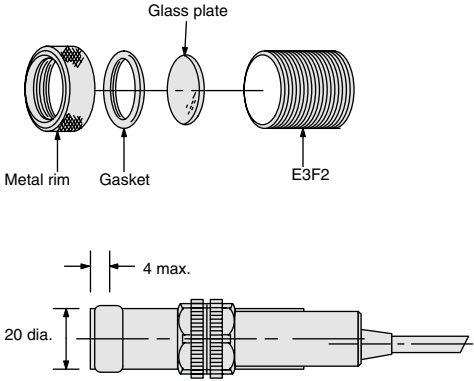
Installation

Mounting Bracket
Y92E-B18

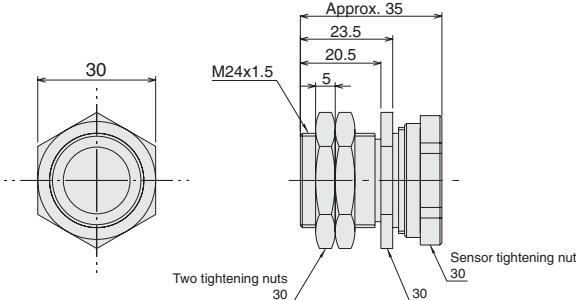


Note: Hexagon bolt: M5 x 32
Material: plastic

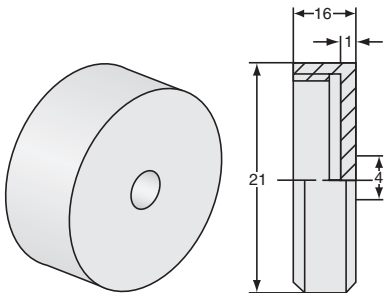
Lens Cap
E39-F31



Mounting Bracket
Y92E-G18



Slit (for precision detection with E3F2-10□)
E39-ES18



Precautions

The E3F2 Photoelectric Sensor is not a safety component for ensuring the safety of people which is defined in EC directive (91/368/EEC) and covered by separate European standards or by any other regulations or standards.

■ Degree of protection

The E3F2 photoelectric sensors have a degree of protection rated with IP67. In this case, the sensors have passed the OMRON heat shock test before the IP67-test of IEC 60529 (submersion at 1m water depth for 30 min). Afterwards the sensors have been tested according to the OMRON waterproof test.

Heat shock: The Alternating, fast temperature changes between -25°C and +55°C are executed for 5 cycles and 1 hour for each temperature. Function and isolation are checked.

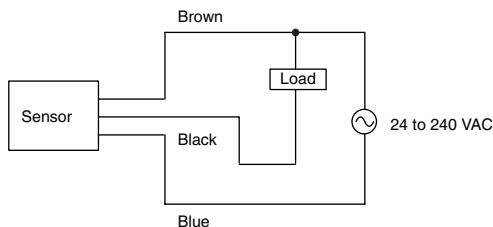
Water proof: The sensors are submerged alternating in water of +2°C and +55°C. 20 cycles with 1 hour for each temperature are executed. Function, water tightness and electrical isolation are checked.

Do not expose the photoelectric sensor to excessive shock during installation, keeping within IP 67 standards.

■ Wiring

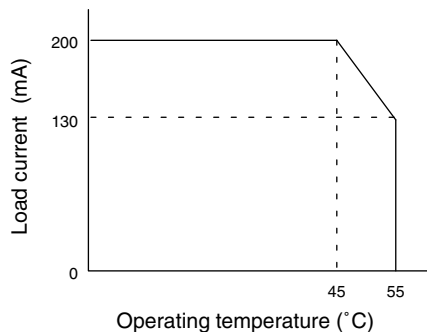
If the input/output lines of the photoelectric sensor are placed in the same conduit or duct as power lines or high-voltage lines, the photoelectric sensor could be induced to malfunction, or even be damaged by electrical noise. Separate the wiring, or use shielded lines as input/output lines to the photoelectric sensor.

Do not connect the black wire to the brown wire without a load. Direct connection of these wires may damage the photoelectric sensor (AC switching type).



When using the photoelectric sensor in the vicinity of an inverter motor, ensure to connect the protective earth ground wire of the motor to earth. Failure to ground the motor may result in malfunction of the sensor.

When you use the photoelectric sensor at temperatures exceeding 45°C, the load current must be within the described values as shown in the figure below.



■ Installation

Do not exceed a torque of

- 2.0 Nm (20 kgf cm) when tightening mounting nuts for plastic models
- 20.0 Nm (200 kgf cm) when tightening mounting nuts for metal models

